

5895-99-525-0154 CODER-DECODER (INTERROGATING SET)

SUMMARY OF DATA

PURPOSE

Acts as an interface equipment between a computer action information system and an IFF interrogator.

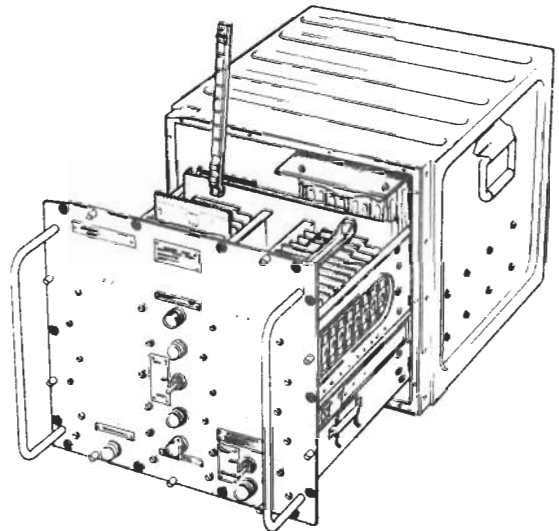
BRIEF DESCRIPTION

The Coder-Decoder receives the target range and bearing, and the mode of interrogation from the computer. It then instructs the interrogator to transmit at the required bearing and in the required mode. The video replies from the interrogator are range-gated and checked for valid SIF codes. The reply code/codes are transferred to the computer. Processed video outputs are available for PPI displays.

An emergency search is carried out at regular intervals to detect emergency codes.

A salvage facility overrides computer control and enables all replies to be made available at associated displays.

A self test sequence, initiated either by the computer or manually, is included.



ASSOCIATED EQUIPMENT

Is part of Radar Type 1010(3) and (4).

POWER REQUIREMENTS

115 V \pm 9 V, 50 to 60 Hz, single phase, 1 amp.

PHYSICAL DIMENSIONS

Height	Width	Depth	Weight
35.4 cm	44.2 cm	55.6 cm	28.1 kg
(13.95 in)	(17.4 in)	(21.9 in)	(62 lb)

HANDBOOKS

BR 4214 Handbook for 5895-99-525-0154 Coder-Decoder.

BR 4210 Handbook for Secondary Radar Systems using Types 1010 and 1011.

E LIST

S1672

INSTALLATION SPECIFICATION

B1157