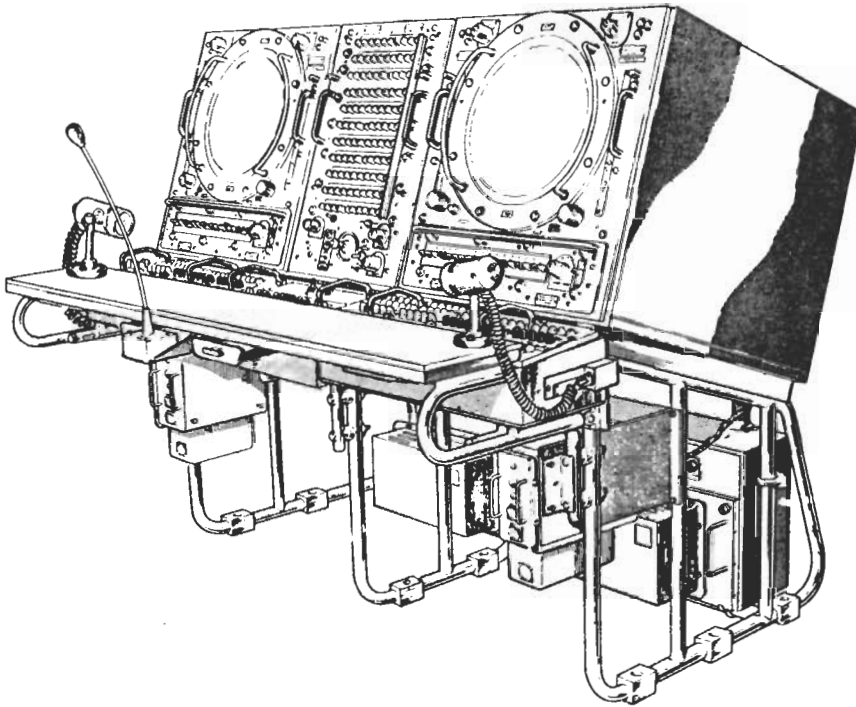


DISPLAY OUTFIT JGA

SUMMARY OF DATA

JGA 1 and 2
JGA1 (M)
JGA1 (Q)
JGA1 (P)
JGA1 (R)



JGA(1) DISPLAY CONSOLE

PURPOSE

To display information produced by data processing equipment from radar returns and to transmit information from the operators to the computer equipment.

BRIEF DESCRIPTION

The JGA1 console provides internal and external communications facilities. The JGA2 console is used as a maintainer monitoring display for outfit DAA, and the Communications Units are removed and blanking plates fitted to the two outer spaces, the centre space has a Clutter Gating Unit fitted.

The JGA1 (M) has the facility of interlacing either the Initiator's console's own joystick and computer controlled marker (CCM) or the Initiator's sequencing of markers on one side only. The JGA(1) (Q) has the same facilities on both sides. The second radar always distributing the positional information as a sinusoidal waveform.

The JGA1 (P) and (R) have similar facilities to the JGA1 (M) and (Q) respectively, but the second radar is AEW (Aircraft Early Warning), the positional information of which is distributed in the form of sawteeth waveforms.

The JGA can display two raw radar pictures in PPI form. Radar 1 displaying 984 radar and Radar 2 displaying AEW.

MAJOR UNITS

<u>AP/NSN No.</u>	<u>Description</u>
5840-99-520-3365	Power Supply Unit
AP 172308	Indicator Digital Display, JGA(1)(2), JGA1 (M) and (P)
AP 172569	Indicator Digital Display, JGA1 (M) (P) (Q) and (R)
AP 173186	Data Input Unit, Manual

BR 333(1)
Original

RESTRICTED

<u>AP/NSN No.</u>	<u>Description</u>
AP 172310	Control Communications (Outer) except JGA (2)
AP 172311	Control Communications (Inner) except JGA (2)
AP 172248	Joystick Unit Interlace
5840-99-520-0916	Converter Signal Data, JGA1 (P)

POWER SUPPLIES

200 V 400 Hz 3 phase

HANDBOOK

BR 2336 (A)

ESTABLISHMENT LIST

E 1416

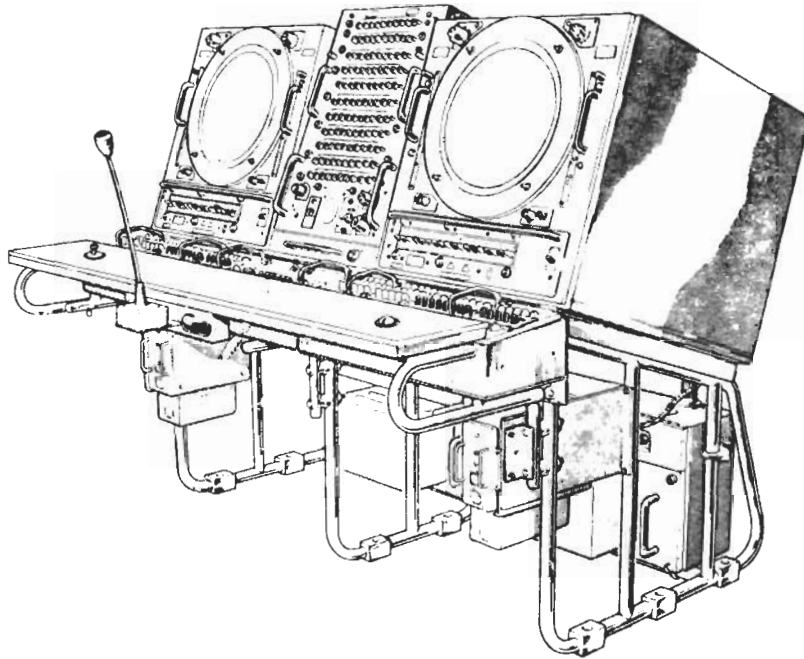
INSTALLATION SPECIFICATION

B1137

DISPLAY OUTFIT JGA

JGA (3)
JGA (4)
JGA (5)
JGA (6)

SUMMARY OF DATA



JGA (5) DISPLAY CONSOLE

PURPOSE

To display information produced by data processing equipment from radar returns and to transmit information from the operators to the computer equipment.

BRIEF DESCRIPTION

The JGA (5) console provides external and internal communications facilities. The JGA (4) console is used as a maintainer monitoring display for outfit DAB, and the Communications Units are removed and replaced with Clutter Gating Control Units.

The JGA (3) is identical to the JGA (5) console, but has two additional units fitted at the end of the console, these are a Control Communications Unit and a Control and Indicator Unit.

The JGA (6) is a JGA (5) console, fitted with two Data Input Units Manual and two Matrix, Digital Data Units for the purpose of providing two independent manual tracking facilities at one console.

Provision is also made for displaying two raw radars (Radar 1 and 2) in PPI form and interlaced radar with marker information on all JGA consoles.

MAJOR UNITS

<u>AP/NSN No.</u>	<u>Description</u>
5840-99-527-7461	Data Input Unit Manual
5840-99-521-0786	Matrix Digital Data Unit
5840-99-533-4928	Selector Category
AP 172881	Indicator Digital Display
5840 AP 172310	Control Communications (Outer), except JGA (4).
5840 AP 172311	Control Communications (Centre), except JGA (4)
AP 172873	Control and Indicator Unit, JGA (3) only
AP 172874	Control Communications, JGA (3) only

RESTRICTED

BR 333(1)
Original

POWER SUPPLIES

200 V 400 Hz 3 Phase

HANDBOOK

BR 2402 (A)

ESTABLISHMENT LIST

E1416

INSTALLATION SPECIFICATION

B 1137